

Poka-yoke Sheet

Problem : Buckling of 2 wheeler shock absorber spring during setting & Safety in setting.

Solution : Modify the method of setting

Key Improvement : ~~Set the springs in a bush of $L_s=119$ mm~~

*

Prevent Error

Shutdown

*

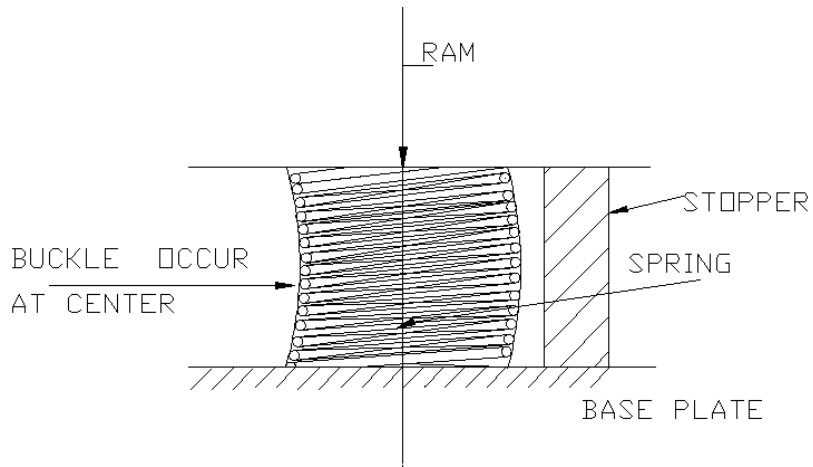
Control

Detect Error

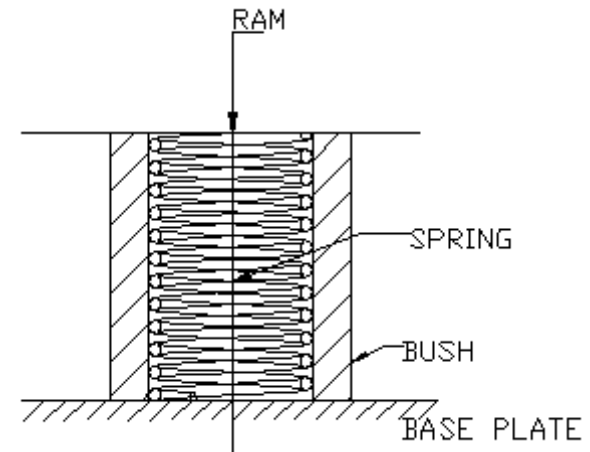
Alarm

Before

After



- Leading to 50% buckling as L_o/D_m is more
- Unsafe working.



- Setting is done in a bush
- 100% Buckle free
- 100% Safety