

# IN HOUSE REJECTION: KAIZEN

## 4b.2 STRENGTH

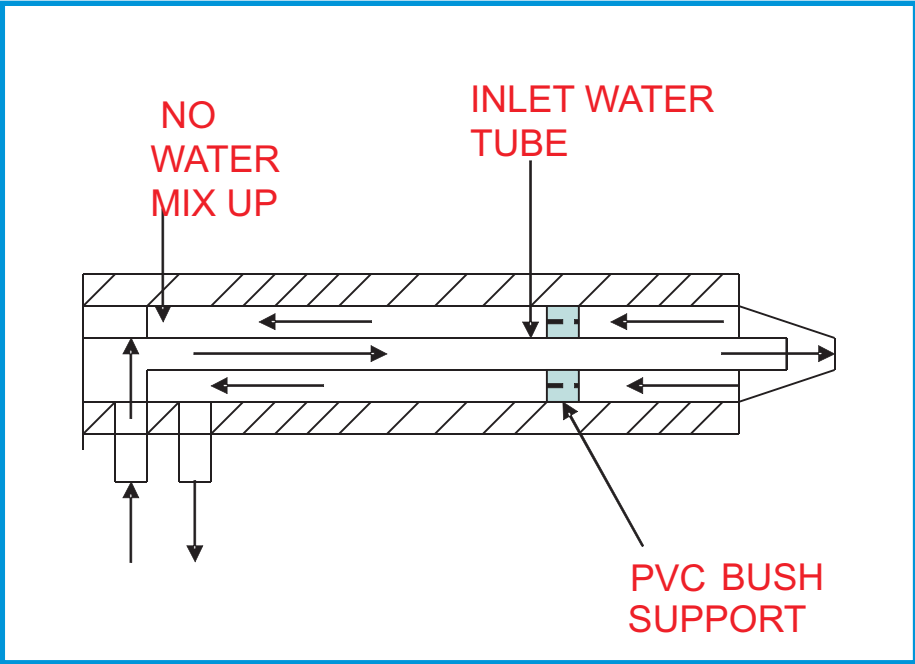
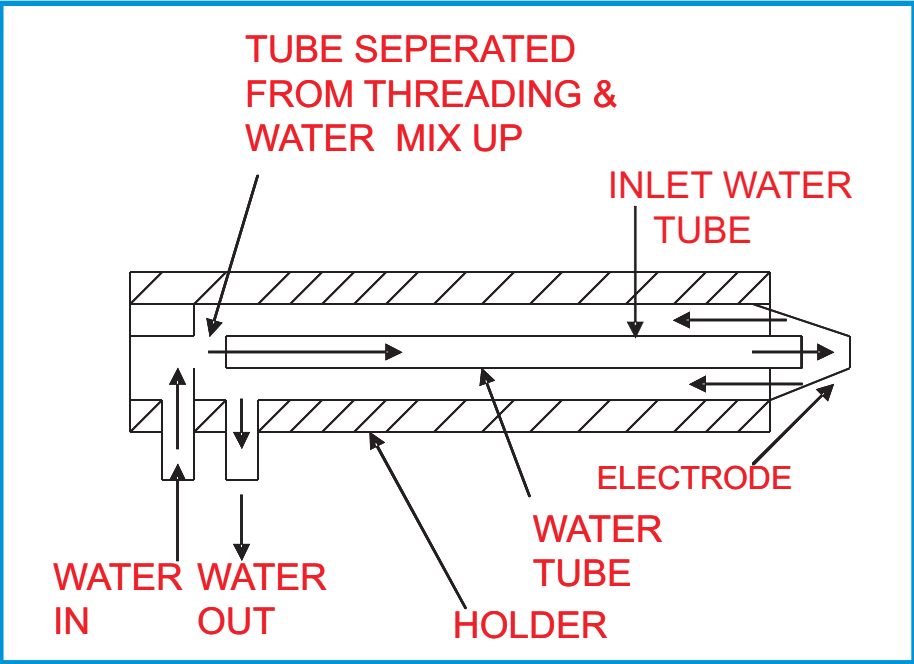
Physical Phenomenon : **Spot weak**  
 Due to : Man / **Machine** / Method / Material

Before

After

Cooled inlet & Hot outlet water mixed up.

Kaizen Idea : Electrode cooling



Root Cause : Electrode heating.

Kaizen : Provide peripheral support to inlet water tube. Tube can not separate.